

Model PDT Transmitter

4-20mA Dewpoint Transmitter -40°C to +30°C (-40°F to +86°F)

Model PDT Dewpoint Transmitter is a (two wire) 4-20mA transmitter for continuous measurement of moisture in a process gas or compressed air. The 4-20mA signal is linear for dewpoint.

It is ideally suited for monitoring the moisture content of compressed air. See other applications below.

The Model PDT transmitter can also be factory configured to give a 4-20mA signal linear for %RH.

**Low Cost - Reliable - Accurate -
Easy to Install - Stable.**



FEATURES

- 2 Wire Dewpoint Transmitter
- Range: -40°C to +30°C Dewpoint
- Accuracy $\pm 2^\circ\text{C}$ Dewpoint
- Temperature Compensation
- Long Term Stability
- Fast Response
- Calibrated to International Standards
- IP65 / NEMA4 Protection

The long lasting Polymer sensing element offers excellent sensitivity, repeatability and response speed. Each unit is supplied with a Certificate of Calibration, traceable to International Humidity Standards.

The Model PDT transmitter has been designed to cope with extreme environmental conditions. The rugged stainless steel construction offers protection to IP65 (NEMA4), with transmitter electrical connections made via secure industrial connector.

Application Examples

- Fluid bed dryers
- Refrigerant dryers
- Desiccant wheel dryers
- Rotary wheel dryers
- Turbine air intakes
- Wind tunnels
- HVAC applications
- Cool stores
- Air braking systems
- Condensation alarms
- Controlled atmosphere environments
- Precision engineering applications
- Heat treatment gases
- Environmental chambers
- Product drying
- Ambient air monitoring
- Gas turbine frost protection systems
- Switchgear monitoring and many more...

**For more information on the Model PDT Transmitter call +44 (0) 1274 733100
or Email: info@amsystems.co.uk**

Model PDT transmitter can withstand 5,000 kPa (50bar) maximum pressure.

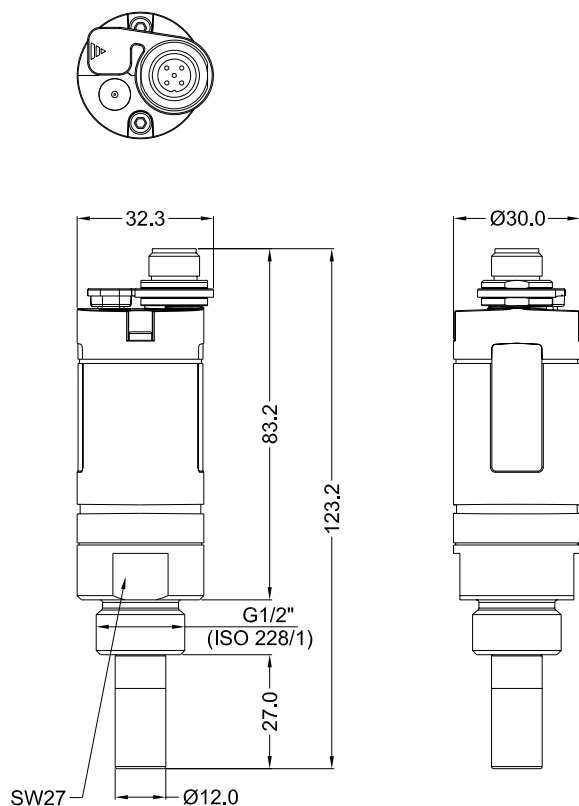
Designed with the operator in mind, for reliable and accurate measurements, the Model PDT is extremely easy to install and operate, requiring little or no maintenance.

The Model PDT transmitter is supplied with a Certificate of Calibration, an instruction manual and 2m connecting cable. Additional accessories for this transmitter are available from stock - see list below.

TECHNICAL DATA FOR MODEL PDT

Measuring range	:	-40°C to +30°C dewpoint, or factory set option 0 - 100%RH
Pressure range	:	-1 to 50 bar
Power supply	:	24 VDC (10 - 30 VDC)
Protection class	:	IP 65
EMC	:	according to DIN EN 61326
Operating temp.	:	-20°C - +70°C
Electrical connection	:	M12, 5-pole
Thread	:	G1/2"
Dimensions	:	Ø 30 mm, length 130 mm
Output	:	4-20 mA = -40°C to +30°C dewpoint
Analogue output max load	:	500 Ω
Manufacturers warranty	:	12 months

DIMENSIONS AND ACCESSORIES



Accessories:-

Sensor Holders (All supplied with mounting bracket) -

- | | |
|---------------------------------------------|------------------|
| a) <u>without</u> fittings - 1/8" NPT ports | Order: ASH-PDT-0 |
| b) with 1/4" fittings - | Order: ASH-PDT-4 |
| c) with 6mm fittings - | Order: ASH-PDT-6 |
| d) with 1/8" fittings - | Order: ASH-PDT-8 |

Sample Isolation Valve (ball) 1/4" -

Order: PP017

Sample Flow Control Valve 1/4" -

Order: PP016

Filter Unit (Particle) -

- | | |
|---------------------------------------------|----------------|
| a) <u>without</u> fittings - 1/8" NPT ports | Order: AFU-0-0 |
| b) with 1/4" fittings - | Order: AFU-4/4 |
| c) with 6mm fittings - | Order: AFU-6/6 |
| d) with 1/8" fittings - | Order: AFU-8/8 |

Filter Unit (Coalescing) -

- | | |
|---------------------------------------------|------------------|
| a) <u>without</u> fittings - 1/8" NPT ports | Order: AFU-C-0-0 |
| b) with 1/4" fittings - | Order: AFU-C-4/4 |
| c) with 6mm fittings - | Order: AFU-C-6/6 |
| d) with 1/8" fittings - | Order: AFU-C-8/8 |

Pressure Regulator (Specify range barg/psi) -

Order: APR

Sample Pressure Gauge (Specify range barg/psi) -

Order: APG

Flow Meter - (Specify flow range) -

Order: AFM

Flow Indicator - (Specify flow range, and Air or SF6) -

Order: AFI

Full Range of Stainless Steel (316) Fittings

Available in Metric and Imperial -

Call or Email

Display

(Linear 4-20mA retransmission signal + 2 Alarms) - Order: DS1200

THE ABOVE LIST REFLECTS ONLY A SMALL PART OF OUR FITTINGS AND ACCESSORIES CATALOGUE - IF THE PART IS NOT LISTED HERE PLEASE CALL US WITH YOUR SPECIFIC REQUIREMENTS

High quality stainless steel sample systems can be designed and built to meet specific requirements.

1769 Model PDT pd180222 -Iss-6

Alpha Moisture Systems Limited.
Registered Office: Alpha House,
96 City Road, Bradford, BD8 8ES. UK.



Registered in England and Wales No. 3902302
VAT Registration No. GB607207563
WEEE Producer Registration No. WEEE/EA00677X

Tel +44 (0) 1274 733100

Email info@amsystems.co.uk

Website www.amsystems.co.uk